
TECHNICAL DATA SHEET

MI Range

IC forklift trucks



1500 - 1800 kg

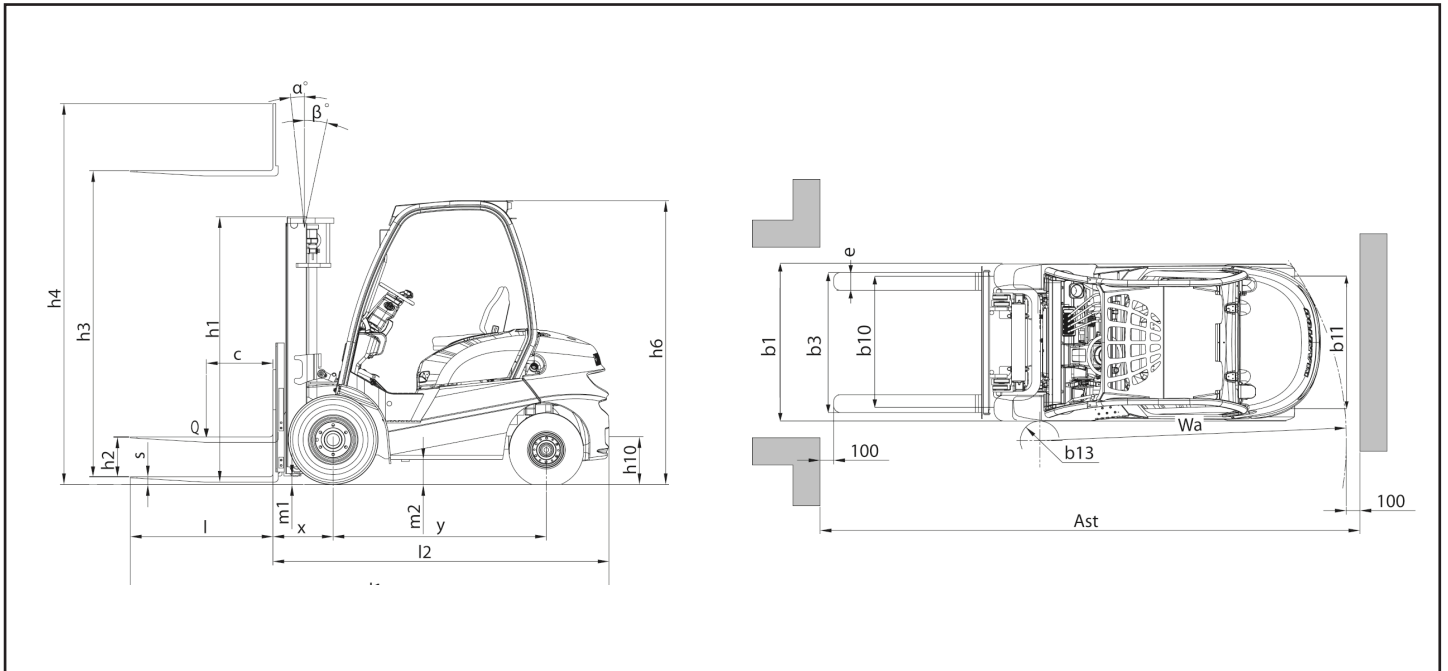
TECHNICAL SPECS

				MANITOU	MANITOU	MANITOU	MANITOU	
				MI15G	MI15D	MI18G	MI18D	
Specifications	1.1	Manufacturer			MANITOU	MANITOU	MANITOU	MANITOU
	1.2	Model			MI15G	MI15D	MI18G	MI18D
	1.3	Power source			LPG	Diesel	LPG	Diesel
	1.4	Driving position			Seated	Seated	Seated	Seated
	1.5	Nominal capacity	Q	t	1,5	1,5	1,8	1,8
	1.6	Load - Centre of gravity	c	mm	500	500	500	500
	1.8	Distance from the load-bearing surface to centre of front axle	x	mm	405	405	405	405
	1.9	Wheelbase	y	mm	1420	1420	1420	1420
Weights	2.1	Operating weight		kg	2710	2905	2905	3100
	2.2	Axle load, with load, front / rear		kg	3640 / 570	3820 / 585	4160 / 545	4260 / 640
	2.3	Axle load, without load, front / rear		kg	1230 / 1480	1325 / 1580	1215 / 1690	1315 / 1785
Tyres, frame	3.1	Tyre equipment : cushion (V), superelastic (SE), pneumatic (L)			SE	SE	SE	SE
	3.2	Size of front wheels			6.50-10 10	6.50-10 10	6.50-10 10	6.50-10 10
	3.3	Size of rear wheels			5.00-8 8	5.00-8 8	5.00-8 8	5.00-8 8
	3.5	Number of front wheels (x=drive wheel) / rear wheels			2x / 2	2x / 2	2x / 2	2x / 2
	3.6	Front wheel gauge (middle of wheels)	b10	mm	900	900	900	900
	3.7	Rear wheel gauge (middle of wheels)	b11	mm	920	920	920	920
Dimensions	4.1	Tilt of mast forwards/backwards (1)	α / β	deg	6 / 12	6 / 12	6 / 12	6 / 12
	4.2	Height mast lowered	h1	mm	2145	2145	2145	2145
	4.3	Free lift	h2	mm	155	155	155	155
	4.4	Lift height	h3	mm	3300	3300	3300	3300
	4.5	Height mast extended	h4	mm	4255	4255	4255	4255
	4.7	Height of overhead guard	h6	mm	2090	2090	2090	2090
	4.8	Height of seat	h7	mm	1160	1160	1160	1160
	4.12	Height of towing bar	h10	mm	315	315	315	315
	4.19	Overall length	l1	mm	3310	3310	3350	3350
	4.20	Length at fork heels	l2	mm	2240	2240	2280	2280
	4.21	Total width (overall)	b1	mm	1080 / 1500	1080 / 1500	1080 / 1500	1080 / 1500
	4.22	Fork dimensions		mm	35 / 100 / 1070	35 / 100 / 1070	35 / 100 / 1070	35 / 100 / 1070
	4.23	Fork carriage to DIN 15173 A/B			FEM2A	FEM2A	FEM2A	FEM2A
	4.24	Width of fork carriage b3	b3	mm	1000	1000	1000	1000
	4.31	Ground clearance below mast	m1	mm	115	115	115	115
	4.32	Ground clearance at centre of wheel-base	m2	mm	150	150	150	150
	4.33	Width of aisle for pallet 1000x1200 crossways	Ast	mm	3590	3590	3615	3615
	4.34	Width of aisle for pallet 800x1200 lengthways	Ast	mm	3790	3790	3815	3815
	4.35	Turning radius	Wa	mm	1985	1985	2010	2010
4.36	Inner turning radius	b13	mm	55	55	55	55	
Performances	5.1	Speed of travel laden / unladen		km/h	17.5 / 18	18.5 / 19	17.5 / 18	18.6 / 19.3
	5.2	Speed of raise laden / unladen		m/s	0.45 / 0.55	0.50 / 0.55	0.45 / 0.55	0.50 / 0.55
	5.3	Speed of lowering laden / unladen m/s		m/s	0.50 / 0.55	0.50 / 0.55	0.50 / 0.55	0.50 / 0.55
	5.5	Nominal towing power laden / unladen		daN	14600 / 7700	14500 / 7600	14500 / 8000	14400 / 7950
	5.7	Gradeability with / without load		%	>20	>20	>20	>20
	5.10	Service brake			Hydraulic	Hydraulic	Hydraulic	Hydraulic
Engines	7.1	Engine Manufacturer / Type			NISSAN K21	YANMAR 4TNE92-HRJ	NISSAN K21	YANMAR 4TNE92-HRJ
	7.2	Power delivery		kW	29	32,8	29	32,8
	7.3	Rated speed		tr/min	2250	2450	2250	2450
	7.4	Number of pistons / Cubic capacity		cm ³	4/2065	4/2065	4/2065	4/2659
	7.5	Fuel consumption according to VDI cycle		L/h	5,7	3,26	5,7	3,26
Miscellaneous	8.2	Operating pressure for attachments		bar	160	160	160	160
	8.3	Oil flow for attachments		l/min	52	56	52	56
	8.4	Average noise level for the driver (in motion) measured/guaranteed		db (A)	86	86	86	86
	-	Average weighted acceleration on driver's body (acc to std NF EN 13059)		m/s ²	0,83	0,83	0,83	0,83

1 Values with duplex mast

Data is based on standard configurations (forks, battery).
Performance data and dimensions are nominal and subject to tolerances.
Specifications are subject to change without notice.

DIMENSIONAL DRAWINGS



MAST AND RATED CAPACITIES

MI 1,5 T			Duplex Total Visibility			Duplex Free Lift			Triplex Free Lift							
			DVT33	DVT37	DVT40	DLL33	DLL37	DLL40	TLL43	TLL45	TLL47	TLL48	TLL50	TLL55	TLL60	TLL65
h3*	Lift height	mm	3300	3700	4000	3300	3700	4000	4300	4500	4700	4800	5000	5500	6000	6500
h1	Height mast lowered	mm	2145	2395	2595	2160	2360	2560	2070	2120	2170	2220	2270	2470	2720	2870
h2	Free lift	mm	155	155	155	1575	1775	1975	1400	1500	1585	1600	1685	1885	2100	2200
h4	Height mast extended*	mm	3865	4265	4600	3885	4285	4585	4980	5130	5380	5430	5595	6095	6730	7180
	Residual capacity without attachment	kg	1500	1500	1500	1500	1500	1500	1350	1300	1250	1250	1200	950	700	-
	Residual capacity with Integrated sideshift	kg	1500	1500	1500	1500	1500	1500	1350	1300	1150	1150	1100	850	600	-
	Residual capacity with forks posit. & sideshift	kg	1400	1400	1400	1400	1400	1400	1250	1200	1050	1050	1000	750	500	-
α/β	Tilt of mast forwards / backwards	deg	6 / 12	6 / 12	6 / 12	6 / 12	6 / 12	6 / 12	6 / 6	6 / 6	6 / 6	6 / 6	6 / 6	3 / 6	3 / 6	3 / 6

MI 1,8 T			Duplex Total Visibility			Duplex Free Lift			Triplex Free Lift							
			DVT33	DVT37	DVT40	DLL33	DLL37	DLL40	TLL43	TLL45	TLL47	TLL48	TLL50	TLL55	TLL60	TLL65
h3*	Lift height	mm	3300	3700	4000	3300	3700	4000	4300	4500	4700	4800	5000	5500	6000	6500
h1	Height mast lowered	mm	2145	2395	2595	2160	2360	2560	2070	2120	2170	2220	2270	2470	2720	2870
h2	Free lift	mm	155	155	155	1575	1775	1975	1400	1500	1585	1600	1685	1885	2100	2200
h4	Height mast extended*	mm	3865	4265	4600	3885	4285	4585	4980	5130	5380	5430	5595	6095	6730	7180
	Residual capacity without attachment	kg	1800	1800	1700	1800	1800	1700	1700	1700	1650	1650	1350	1050	750	-
	Residual capacity with Integrated sideshift	kg	1750	1750	1650	1750	1750	1650	1600	1600	1550	1550	1250	950	650	-
	Residual capacity with forks posit. & sideshift	kg	1650	1650	1550	1650	1650	1550	1500	1500	1450	1450	1150	900	600	-
α/β	Tilt of mast forwards / backwards	deg	6 / 12	6 / 12	6 / 12	6 / 12	6 / 12	6 / 12	6 / 6	6 / 6	6 / 6	6 / 6	6 / 6	3 / 6	3 / 6	3 / 6

* Without backrest

2000 - 2500 kg

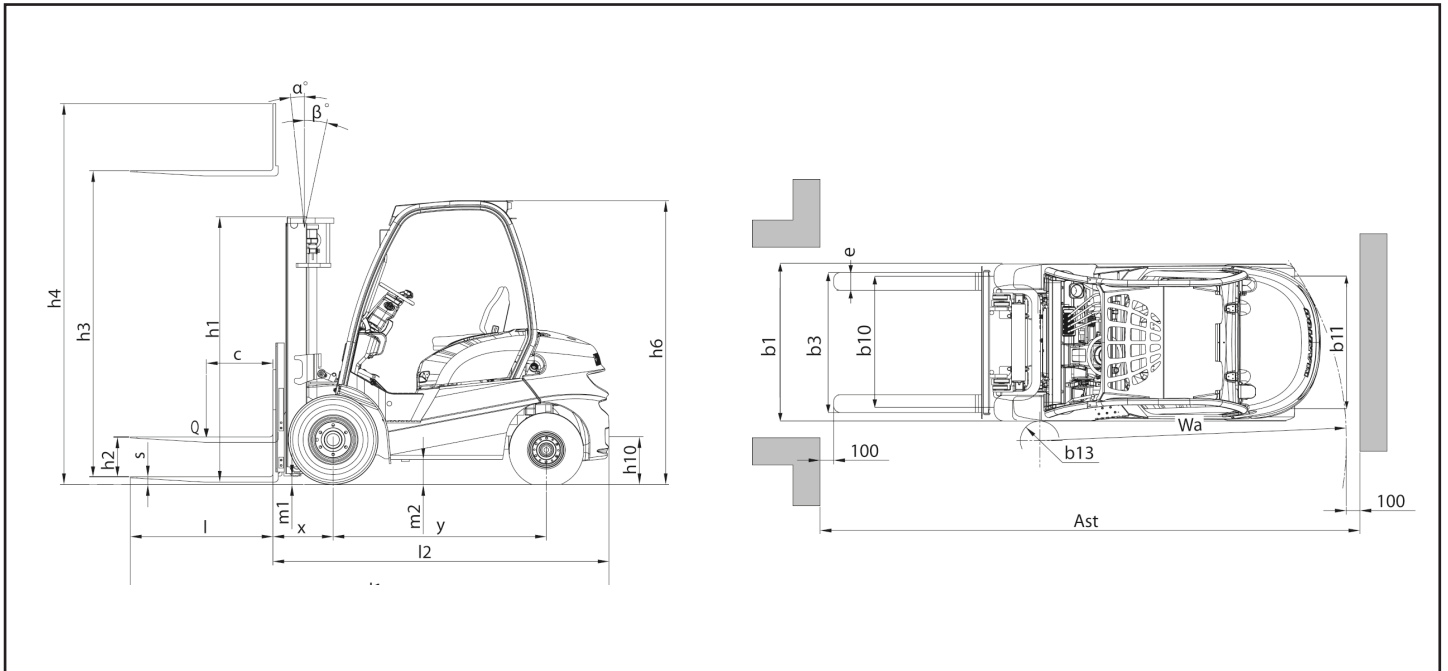
TECHNICAL SPECS

				MANITOU				
				MI20G	MI20D	MI25G	MI25D	
Specifications	1.1	Manufacturer			MANITOU	MANITOU	MANITOU	MANITOU
	1.2	Model			MI20G	MI20D	MI25G	MI25D
	1.3	Power source			LPG	Diesel	LPG	Diesel
	1.4	Driving position			Seated	Seated	Seated	Seated
	1.5	Nominal capacity	Q	t	2	2	2,5	2,5
	1.6	Load - Centre of gravity	c	mm	500	500	500	500
	1.8	Distance from the load-bearing surface to centre of front axle	x	mm	465	465	465	465
	1.9	Wheelbase	y	mm	1600	1600	1600	1600
	Weights	2.1	Operating weight		kg	3620	3725	3895
2.2		Axle load, with load, front / rear		kg	4930 / 690	5005 / 720	5665 / 730	5735 / 765
2.3		Axle load, without load, front / rear		kg	1720 / 1900	1765 / 1960	1665 / 2230	1710 / 2290
Tyres, frame	3.1	Tyre equipment : cushion (V), superelastic (SE), pneumatic (L)			SE	SE	SE	SE
	3.2	Size of front wheels			7.00-12 12	7.00-12 12	7.00-12 12	7.00-12 12
	3.3	Size of rear wheels			6.00-9 10	6.00-9 10	6.00-9 10	6.00-9 10
	3.5	Number of front wheels (x=drive wheel) / rear wheels			2x / 2	2x / 2	2x / 2	2x / 2
	3.6	Front wheel gauge (middle of wheels)	b10	mm	965	965	965	965
	3.7	Rear wheel gauge (middle of wheels)	b11	mm	973	973	973	973
Dimensions	4.1	Tilt of mast forwards/backwards (1)	α / β		6 / 12	6 / 12	6 / 12	6 / 12
	4.2	Height mast lowered	h1	mm	2185	2185	2185	2185
	4.3	Free lift	h2	mm	140	140	140	140
	4.4	Lift height	h3	mm	3300	3300	3300	3300
	4.5	Height mast extended	h4	mm	4345	4345	4345	4345
	4.7	Height of overhead guard	h6	mm	2115	2115	2115	2115
	4.8	Height of seat	h7	mm	1190	1190	1190	1190
	4.12	Height of towing bar	h10	mm	355	355	360	360
	4.19	Overall length	l1	mm	3615	3615	3685	3685
	4.20	Length at fork heels	l2	mm	2465	2465	2535	2535
	4.21	Total width (overall)	b1	mm	1155 / 1595	1155 / 1595	1155 / 1595	1155 / 1595
	4.22	Fork dimensions		mm	40 / 122 / 1150	40 / 122 / 1150	40 / 122 / 1150	40 / 122 / 1150
	4.23	Fork carriage to DIN 15173 A/B			FEM2A	FEM2A	FEM2A	FEM2A
	4.24	Width of fork carriage b3	b3	mm	1038	1038	1038	1038
	4.31	Ground clearance below mast	m1	mm	115	115	115	115
	4.32	Ground clearance at centre of wheel-base	m2	mm	175	175	175	175
	4.33	Width of aisle for pallet 1000x1200 crossways	Ast	mm	3865	3865	3930	3930
4.34	Width of aisle for pallet 800x1200 lengthways	Ast	mm	4065	4065	4130	4130	
4.35	Turning radius	Wa	mm	2200	2200	2265	2265	
4.36	Inner turning radius	b13	mm	145	145	145	145	
Performances	5.1	Speed of travel laden / unladen		km/h	18.8 / 19.4	18 / 18.5	19.4 / 19.7	18 / 18.6
	5.2	Speed of raise laden / unladen		m/s	0.47 / 0.55	0.47 / 0.55	0.47 / 0.55	0.47 / 0.55
	5.3	Speed of lowering laden / unladen m/s		m/s	0.48 / 0.50	0.48 / 0.55	0.50 / 0.50	0.50 / 0.55
	5.5	Nominal towing power laden / unladen		daN	16800 / 10400	16900 / 12300	17000 / 10400	17300 / 12400
	5.7	Gradeability with / without load		%	>20	>20	>20	>20
	5.10	Service brake			Hydraulic	Hydraulic	Hydraulic	Hydraulic
Engines	7.1	Engine Manufacturer / Type			NISSAN K25	YANMAR 4TNV94L-BXPHZ	NISSAN K25	YANMAR 4TNV94L-BXPHZ
	7.2	Power delivery		kW	35	35	35	35
	7.3	Rated speed		tr/min	2400	2400	2400	2400
	7.4	Number of pistons / Cubic capacity		cm ³	4/2488	4/3054	4/2488	4/3054
	7.5	Fuel consumption according to VDI cycle		L/h	6,3	3,56	6,3	3,56
Miscellaneous	8.2	Operating pressure for attachments		bar	160	160	160	160
	8.3	Oil flow for attachments		l/min	72	69	72	69
	8.4	Average noise level for the driver (in motion) measured/guaranteed		db (A)	86	86	86	86
	-	Average weighted acceleration on driver's body (acc to std NF EN 13059)		m/s ²	0,78	0,78	0,78	0,78

1 Values with duplex mast

Data is based on standard configurations (forks, battery).
Performance data and dimensions are nominal and subject to tolerances.
Specifications are subject to change without notice.

DIMENSIONAL DRAWINGS



MAST AND RATED CAPACITIES

MI 2,0 T			Duplex Total Visibility			Duplex Free Lift			Triplex Free Lift							
			DVT33	DVT37	DVT40	DLL33	DLL37	DLL40	TLL43	TLL45	TLL47	TLL48	TLL50	TLL55	TLL60	TLL65
h3*	Lift height	mm	3300	3700	4000	3300	3700	4000	4300	4500	4700	4800	5000	5500	6000	6500
h1	Height mast lowered	mm	2185	2435	2635	2160	2360	2560	2100	2150	2200	2250	2300	2500	2750	2900
h2	Free lift	mm	140	140	140	1480	1680	1880	1400	1470	1520	1570	1620	1820	2070	2200
h4	Height mast extended*	mm	3960	4360	4660	3980	4330	4680	5000	5230	5380	5480	5680	6180	6730	7200
	Residual capacity without attachment	kg	2000	2000	2000	2000	2000	2000	1850	1800	1750	1750	1700	1300	900	800
	Residual capacity with Integrated sideshift	kg	2000	2000	2000	2000	2000	2000	1750	1700	1650	1650	1600	1200	800	700
	Residual capacity with forks posit. & sideshift	kg	1900	1900	1900	1900	1900	1900	-	1700	1650	1650	1600	1200	800	-
α / β	Tilt of mast forwards / backwards	deg	6 / 12	6 / 12	6 / 12	6 / 12	6 / 12	6 / 12	6 / 6	6 / 6	6 / 6	6 / 6	6 / 6	3 / 6	3 / 6	3 / 6

MI 2,5 T			Duplex Total Visibility			Duplex Free Lift			Triplex Free Lift							
			DVT33	DVT37	DVT40	DLL33	DLL37	DLL40	TLL43	TLL45	TLL47	TLL48	TLL50	TLL55	TLL60	TLL65
h3*	Lift height	mm	3300	3700	4000	3300	3700	4000	4300	4500	4700	4800	5000	5500	6000	6500
h1	Height mast lowered	mm	2185	2435	2635	2160	2360	2560	2100	2150	2200	2250	2300	2500	2750	2900
h2	Free lift	mm	140	140	140	1480	1680	1880	1400	1470	1520	1570	1620	1820	2070	2200
h4	Height mast extended*	mm	3960	4360	4660	3980	4330	4680	5000	5230	5380	5480	5680	6180	6730	7200
	Residual capacity without attachment	kg	2500	2500	2500	2500	2500	2500	2400	2350	2200	2200	1950	1650	1050	-
	Residual capacity with Integrated sideshift	kg	2500	2500	2500	2500	2500	2500	2350	2300	2150	2150	1900	1600	1000	-
	Residual capacity with forks posit. & sideshift	kg	2500	2500	2450	2500	2500	2450	-	2250	2100	2100	1850	1550	950	-
α / β	Tilt of mast forwards / backwards	deg	6 / 12	6 / 12	6 / 12	6 / 12	6 / 12	6 / 12	6 / 6	6 / 6	6 / 6	6 / 6	6 / 6	3 / 6	3 / 6	3 / 6

* Without backrest

3000 - 3500 kg

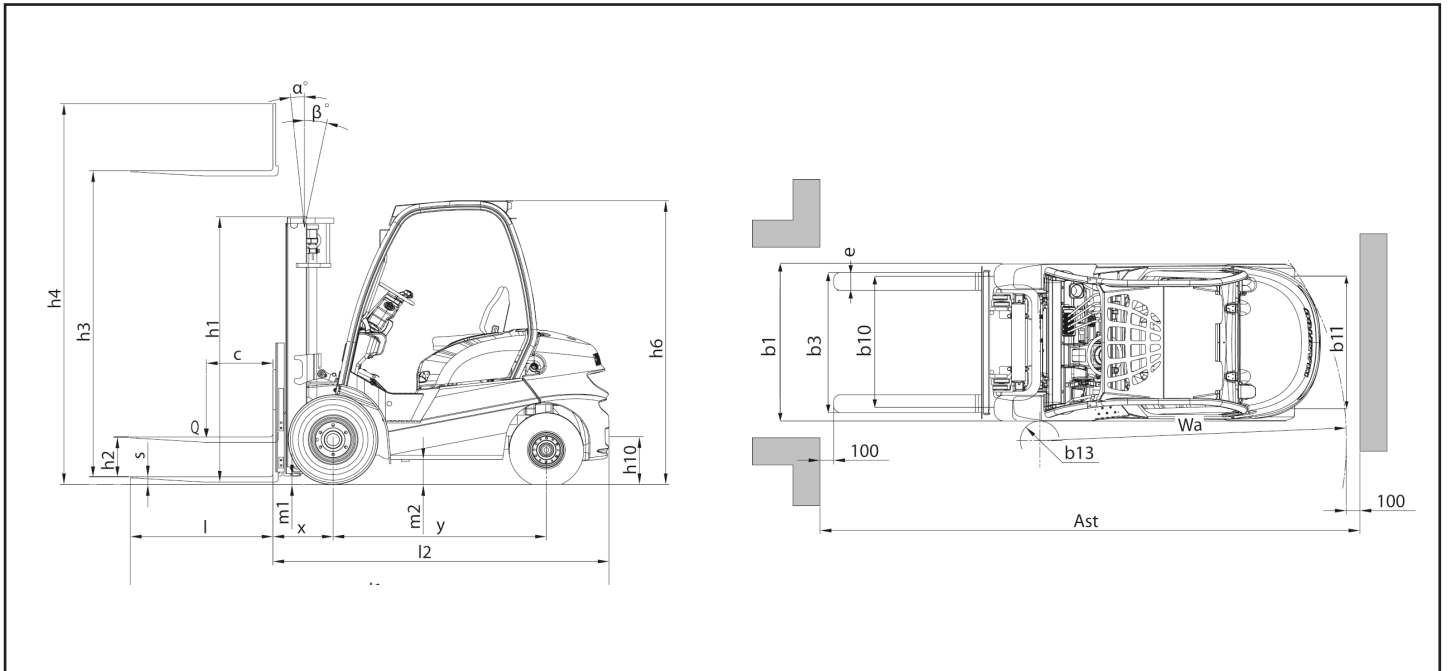
TECHNICAL SPECS

					MANITOU	MANITOU	MANITOU	MANITOU
Specifications	1.1	Manufacturer			MANITOU	MANITOU	MANITOU	MANITOU
	1.2	Model			MI30G	MI30D	MI35G	MI35D
	1.3	Power source			LPG	Diesel	LPG	Diesel
	1.4	Driving position			Seated	Seated	Seated	Seated
	1.5	Nominal capacity	Q	t	3	3	3,5	3,5
	1.6	Load - Centre of gravity	c	mm	500	500	500	500
	1.8	Distance from the load-bearing surface to centre of front axle	x	mm	480	480	485	485
1.9	Wheelbase	y	mm	1700	1700	1700	1700	
Weights	2.1	Operating weight		kg	4490	4610	4740	4860
	2.2	Axle load, with load, front / rear		kg	6560 / 930	6650 / 960	7260 / 980	7360 / 1000
	2.3	Axle load, without load, front / rear		kg	1805 / 2685	1860 / 2750	1775 / 2965	1825 / 3035
Tyres, frame	3.1	Tyre equipment : cushion (V), superelastic (SE), pneumatic (L)			SE	SE	SE	SE
	3.2	Size of front wheels			28-9-15 12	28-9-15 12	28-9-15 12	28-9-15 12
	3.3	Size of rear wheels			6.50-10 10	6.50-10 10	6.50-10 10	6.50-10 10
	3.5	Number of front wheels (x=drive wheel) / rear wheels			2x / 2	2x / 2	2x / 2	2x / 2
	3.6	Front wheel gauge (middle of wheels)	b10	mm	1005	1005	1005	1005
	3.7	Rear wheel gauge (middle of wheels)	b11	mm	975	975	975	975
Dimensions	4.1	Tilt of mast forwards/backwards (1)	α / β		6 / 12	6 / 12	6 / 12	6 / 12
	4.2	Height mast lowered	h1	mm	2200	2200	2315	2315
	4.3	Free lift	h2	mm	145	145	145	145
	4.4	Lift height	h3	mm	3300	3300	3300	3300
	4.5	Height mast extended	h4	mm	4445	4445	4445	4445
	4.7	Height of overhead guard	h6	mm	2130	2130	2130	2130
	4.8	Height of seat	h7	mm	1215	1215	1215	1215
	4.12	Height of towing bar	h10	mm	355	355	360	360
	4.19	Overall length	l1	mm	3865	3865	3935	3935
	4.20	Length at fork heels	l2	mm	2715	2715	2785	2785
	4.21	Total width (overall)	b1	mm	1225 / 1725	1225 / 1725	1225 / 1725	1225 / 1725
	4.22	Fork dimensions		mm	45 / 122 / 1150	45 / 122 / 1150	50 / 122 / 1150	50 / 122 / 1150
	4.23	Fork carriage to DIN 15173 A/B			FEM3A	FEM3A	FEM3A	FEM3A
	4.24	Width of fork carriage b3	b3	mm	1100	1100	1100	1100
	4.31	Ground clearance below mast	m1	mm	130	130	130	130
	4.32	Ground clearance at centre of wheel-base	m2	mm	200	200	200	200
	4.33	Width of aisle for pallet 1000x1200 crossways	Ast	mm	4140	4140	4195	4195
	4.34	Width of aisle for pallet 800x1200 lengthways	Ast	mm	4340	4340	4395	4395
	4.35	Turning radius	Wa	mm	2460	2460	2510	2510
4.36	Inner turning radius	b13	mm	160	160	160	160	
Performances	5.1	Speed of travel laden / unladen		km/h	18 / 18.5	18 / 18.5	17 / 17.5	18 / 18.5
	5.2	Speed of raise laden / unladen		m/s	0.45 / 0.55	0.45 / 0.52	0.40 / 0.52	0.39 / 0.40
	5.3	Speed of lowering laden / unladen m/s		m/s	0.48 / 0.50	0.43 / 0.48	0.47 / 0.38	0.40 / 0.35
	5.5	Nominal towing power laden / unladen		daN	17400 / 10800	16000 / 13800	17500 / 11000	18300 / 15200
	5.7	Gradeability with / without load		%	>20	>20	>18 / >20	>18 / >20
	5.10	Service brake			Hydraulic	Hydraulic	Hydraulic	Hydraulic
Engines	7.1	Engine Manufacturer / Type			NISSAN K25	YANMAR 4TNV94L-BXPHZ	NISSAN K25	YANMAR 4TNV94L-BXPHZ
	7.2	Power delivery		kW	35	35	35	35
	7.3	Rated speed		tr/min	2400	2400	2400	2400
	7.4	Number of pistons / Cubic capacity		cm ³	4/2488	4/3054	4/248	4/3054
	7.5	Fuel consumption according to VDI cycle		L/h	6,3	3,56	6,3	3,56
Miscellaneous	8.2	Operating pressure for attachments		bar	160	160	160	160
	8.3	Oil flow for attachments		l/min	72	69	72	69
	8.4	Average noise level for the driver (in motion) measured/guaranteed		db (A)	86	89	86	89
	-	Average weighted acceleration on driver's body (acc to std NF EN 13059)		m/s ²	0,5	0,5	0,5	0,5

1 Values with duplex mast

Data is based on standard configurations (forks, battery).
Performance data and dimensions are nominal and subject to tolerances.
Specifications are subject to change without notice.

DIMENSIONAL DRAWINGS



MAST AND RATED CAPACITIES

MI 3,0 T			Duplex Total Visibility			Duplex Free Lift			Triplex Free Lift							
			DVT33	DVT37	DVT40	DLL33	DLL37	DLL40	TLL43	TLL45	TLL47	TLL48	TLL50	TLL55	TLL60	TLL65
h3*	Lift height	mm	3300	3700	4000	3300	3700	4000	4300	4500	4700	4800	5000	5500	6000	6500
h1	Height mast lowered	mm	2200	2450	2650	2230	2430	2580	2115	2165	2215	2265	2315	2515	2765	2915
h2	Free lift	mm	145	145	145	1475	1675	1825	1360	1410	1460	1510	1560	1760	2010	2160
h4	Height mast extended*	mm	4035	4435	4735	4055	4455	4755	5055	5305	5455	5555	5755	6255	6805	7255
	Residual capacity without attachment	kg	3000	3000	3000	3000	3000	3000	2950	2900	2800	2800	2500	1850	1400	-
	Residual capacity with Integrated sideshift	kg	3000	3000	3000	3000	3000	3000	2850	2800	2700	2700	2400	1750	1300	-
	Residual capacity with forks posit. & sideshift	kg	2900	2900	2900	2900	2900	2900	-	2700	2600	2600	2300	1650	1200	-
α/β	Tilt of mast forwards / backwards	deg	6 / 12	6 / 12	6 / 12	6 / 12	6 / 12	6 / 12	6 / 6	6 / 6	6 / 6	6 / 6	6 / 6	3 / 6	3 / 6	3 / 6

MI 3,5 T			Duplex Total Visibility			Duplex Free Lift			Triplex Free Lift							
			DVT33	DVT37	DVT40	DLL33	DLL37	DLL40	TLL43	TLL45	TLL47	TLL48	TLL50	TLL55	TLL60	TLL65
h3*	Lift height	mm	3300	3700	4000	3300	3700	4000	4300	4500	4700	4800	5000	5500	6000	6500
h1	Height mast lowered	mm	2315	2565	2715	2330	2530	2680	2215	2265	2315	2365	2415	2565	2815	2965
h2	Free lift	mm	145	145	145	1500	1700	1850	1385	1435	1485	1535	1585	1735	1985	2135
h4	Height mast extended*	mm	4115	4515	4815	4130	4530	4830	5130	5380	5530	5630	5830	6330	6880	7330
	Residual capacity without attachment	kg	3500	3500	3500	3500	3500	3500	3450	3400	3300	3300	3000	2200	1600	1500
	Residual capacity with Integrated sideshift	kg	3500	3500	3500	3500	3500	3500	3350	3300	3200	3200	2900	2100	1500	1400
	Residual capacity with forks posit. & sideshift	kg	3400	3400	3400	3400	3400	3400	-	3200	3100	3100	2800	2000	1400	-
α/β	Tilt of mast forwards / backwards	deg	6 / 12	6 / 12	6 / 12	6 / 12	6 / 12	6 / 12	6 / 6	6 / 6	6 / 6	6 / 6	6 / 6	3 / 6	3 / 6	3 / 6

* Without backrest

4000 kg

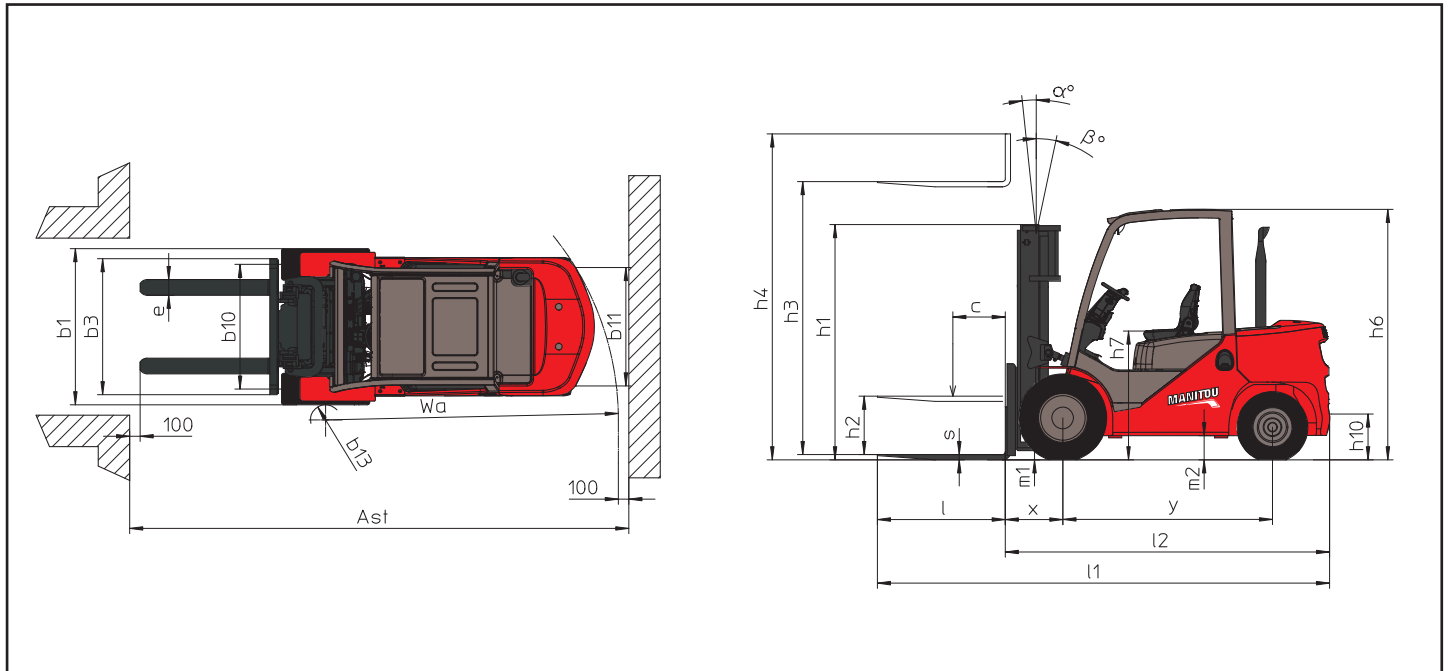
TECHNICAL SPECS

				MANITOU	MANITOU	
Specifications	1.1	Manufacturer				
	1.2	Model		MI40G	MI40D	
	1.3	Power source		LPG	Diesel	
	1.4	Driving position		Seated	Seated	
	1.5	Nominal capacity	Q	t	4	4
	1.6	Load - Centre of gravity	c	mm	500	500
	1.8	Distance from the load-bearing surface to centre of front axle	x	mm	550	550
1.9	Wheelbase	y	mm	2000	2000	
Weights	2.1	Operating weight		kg	6300	6300
	2.2	Axle load, with load, front / rear		kg	9000 / 1300	9000 / 1300
	2.3	Axle load, without load, front / rear		kg	2800 / 3500	2800 / 3500
Tyres, frame	3.1	Tyre equipment : cushion (V), superelastic (SE), pneumatic (L)			SE	SE
	3.2	Size of front wheels			8.25-15-14PR	8.25-15-14PR
	3.3	Size of rear wheels			7.00-12-12PR	7.00-12-12PR
	3.5	Number of front wheels (x=drive wheel) / rear wheels			2x / 2	2x / 2
	3.6	Front wheel gauge (middle of wheels)	b10	mm	1160	1160
	3.7	Rear wheel gauge (middle of wheels)	b11	mm	1130	1130
Dimensions	4.1	Tilt of mast forwards/backwards (1)	α / β	deg	6 / 12	6 / 12
	4.2	Height mast lowered	h1	mm	2245	2245
	4.3	Free lift	h2	mm	160	160
	4.4	Lift height	h3	mm	3000	3000
	4.5	Height mast extended	h4	mm	4170	4170
	4.7	Height of overhead guard	h6	mm	2390	2390
	4.8	Height of seat	h7	mm	1370	1370
	4.12	Height of towing bar	h10	mm	445	445
	4.19	Overall length	l1	mm	4290	4290
	4.20	Length at fork heels	l2	mm	3070	3070
	4.21	Total width (overall)	b1	mm	1395 / 1940	1395 / 1940
	4.22	Fork dimensions	e / s / l	mm	122 / 50 / 1220	122 / 50 / 1220
	4.23	Fork carriage to DIN 15173 A/B			FEM 3A	FEM 3A
	4.24	Width of fork carriage b3	b3	mm	1250	1250
	4.31	Ground clearance below mast	m1	mm	170	170
	4.32	Ground clearance at centre of wheel-base	m2	mm	230	230
	4.33	Width of aisle for pallet 1000x1200 crossways	Ast	mm	4642	4642
	4.34	Width of aisle for pallet 800x1200 lengthways	Ast	mm	4775	4775
4.35	Turning radius	Wa	mm	2780	2780	
4.36	Inner turning radius	b13	mm	135	135	
Performances	5.1	Speed of travel laden / unladen		km/h	22 / 24	22 / 24
	5.2	Speed of raise laden / unladen		m/s	0,46 / 0,48	0,46 / 0,48
	5.3	Speed of lowering laden / unladen m/s		m/s	0,5 / 0,5	0,5 / 0,5
	5.5	Nominal towing power laden / unladen		N	38000 / 22000	40000 / 20000
	5.7	Gradeability with / without load		%	24 / 37	31 / 39
	5.10	Service brake			Hydraulic	Hydraulic
Engines	7.1	Engine Manufacturer / Type			PSI 4.3L	Cummins QSF2.8T4F - Stage 3B
	7.2	Power delivery		kW	74	55
	7.3	Rated speed		tr/min	2300	2600
	7.4	Number of pistons / Cubic capacity		cm ³	6 / 4300	4 / 2800
Miscellaneous	8.2	Operating pressure for attachments		bar	160	160
	8.3	Oil flow for attachments		l/min	90	90
	-	Average weighted acceleration on driver's body (acc to std NF EN 13059)		m/s ²	1	1

1 Values with duplex mast

Data is based on standard configurations (forks, battery).
Performance data and dimensions are nominal and subject to tolerances.
Specifications are subject to change without notice.

DIMENSIONAL DRAWINGS



MAST AND RATED CAPACITIES

MI 4,0 T			Duplex Total Visibility							Duplex Free Lift				Triplex Free Lift						
			DVT30	DVT33	DVT35	DVT37	DVT40	DVT45	DVT50	DLL30	DLL33	DLL35	DLL37	TLL40	TLL43	TLL45	TLL47	TLL50	TLL55	TLL60
h3*	Lift height	mm	3000	3300	3500	3700	4000	4500	5000	3000	3300	3500	3700	4000	4300	4500	4700	5000	5500	6000
h1	Height mast lowered	mm	2245	2395	2495	2595	2795	3070	3345	2226	2376	2476	2576	2080	2180	2248	2310	2410	2575	2790
h2	Free lift	mm	160	160	160	160	160	160	160	1364	1514	1614	1714	1229	1329	1395	1459	1559	1724	1939
h4*	Height mast extended*	mm	4170	4470	4670	4870	5170	5670	6170	4170	4470	4670	4870	5170	5470	5685	5870	6170	6670	7180
	Residual capacity without attachment	kg	4000	4000	4000	4000	4000	3700	3200	4000	4000	4000	4000	4000	3900	3500	3300	3100	2800	2300
	Residual capacity with Integrated sideshift	kg	4000	4000	4000	4000	4000	3600	3100	4000	4000	4000	4000	3900	3800	3400	3200	3000	2700	2200
α / β	Tilt of mast forwards / backwards	deg	6 / 12	6 / 12	6 / 12	6 / 12	6 / 12	6 / 6	6 / 6	6 / 12	6 / 12	6 / 12	6 / 12	6 / 12	6 / 6	6 / 6	6 / 6	6 / 6	3 / 6	3 / 6

* Without backrest

4500 kg

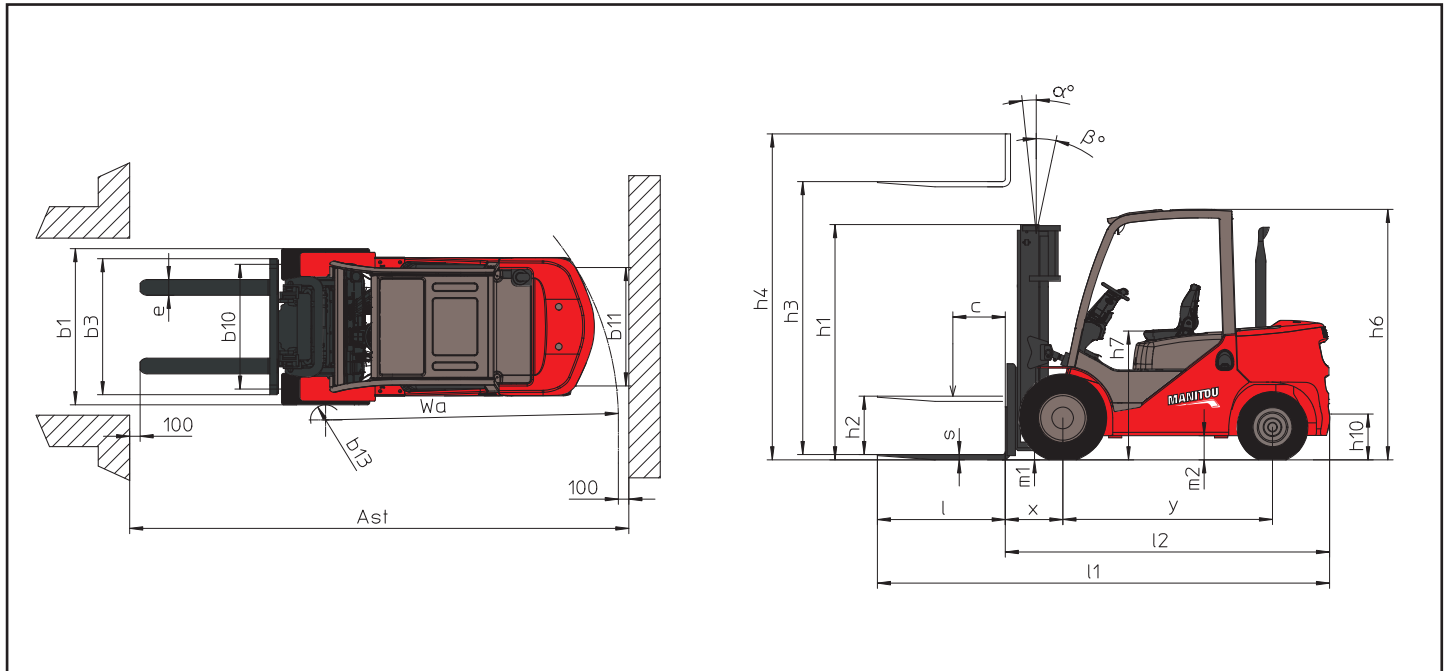
TECHNICAL SPECS

					MANITOU	MANITOU
Specifications	1.1	Manufacturer			MANITOU	MANITOU
	1.2	Model			MI45G	MI45D
	1.3	Power source			LPG	Diesel
	1.4	Driving position			Seated	Seated
	1.5	Nominal capacity	Q	t	4,5	4,5
	1.6	Load - Centre of gravity	c	mm	500	500
	1.8	Distance from the load-bearing surface to centre of front axle	x	mm	550	550
	1.9	Wheelbase	y	mm	2000	2000
	Weights	2.1	Operating weight		kg	6500
2.2		Axle load, with load, front / rear		kg	9625 / 1375	9625 / 1375
2.3		Axle load, without load, front / rear		kg	2820 / 3680	2820 / 3680
Tyres, frame	3.1	Tyre equipment : cushion (V), superelastic (SE), pneumatic (L)			SE	SE
	3.2	Size of front wheels			300-15-18PR	300-15-18PR
	3.3	Size of rear wheels			7.00-12-12PR	7.00-12-12PR
	3.5	Number of front wheels (x=drive wheel) / rear wheels			2x / 2	2x / 2
	3.6	Front wheel gauge (middle of wheels)	b10	mm	1190	1190
	3.7	Rear wheel gauge (middle of wheels)	b11	mm	1130	1130
	Dimensions	4.1	Tilt of mast forwards/backwards (1)	α / β		6 / 12
4.2		Height mast lowered	h1	mm	2245	2245
4.3		Free lift	h2	mm	160	160
4.4		Lift height	h3	mm	3000	3000
4.5		Height mast extended	h4	mm	4170	4170
4.7		Height of overhead guard	h6	mm	2390	2390
4.8		Height of seat	h7	mm	1370	1370
4.12		Height of towing bar	h10	mm	445	445
4.19		Overall length	l1	mm	4330	4330
4.20		Length at fork heels	l2	mm	3110	3110
4.21		Total width (overall)	b1	mm	1490 / 1940	1490 / 1940
4.22		Fork dimensions	e / s / l	mm	150 / 50 / 1220	150 / 50 / 1220
4.23		Fork carriage to DIN 15173 A/B			FEM 3A	FEM 3A
4.24		Width of fork carriage b3	b3	mm	1250	1250
4.31		Ground clearance below mast	m1	mm	170	170
4.32		Ground clearance at centre of wheel-base	m2	mm	230	230
4.33		Width of aisle for pallet 1000x1200 crossways	Ast	mm	4662	4662
4.34		Width of aisle for pallet 800x1200 lengthways	Ast	mm	4795	4795
4.35		Turning radius	Wa	mm	2800	2800
4.36	Inner turning radius	b13	mm	100	100	
Performances	5.1	Speed of travel laden / unladen		km/h	22 / 24	22 / 24
	5.2	Speed of raise laden / unladen		m/s	0,46 / 0,48	0,46 / 0,48
	5.3	Speed of lowering laden / unladen m/s		m/s	0,5 / 0,5	0,5 / 0,5
	5.5	Nominal towing power laden / unladen		N	38000 / 22000	40000 / 20000
	5.7	Gradeability with / without load		%	23 / 34	30 / 36
	5.10	Service brake			Hydraulic	Hydraulic
Engines	7.1	Engine Manufacturer / Type			PSI 4.3L	Cummins QSF2.8T4F - Stage 3B
	7.2	Power delivery		kW	74	55
	7.3	Rated speed		tr/min	2300	2600
	7.4	Number of pistons / Cubic capacity		cm ³	6 / 4300	4 / 2800
Miscellaneous	8.2	Operating pressure for attachments		bar	160	160
	8.3	Oil flow for attachments		l/min	90	90
	-	Average weighted acceleration on driver's body (acc to std NF EN 13059)		m/s ²	1	1

1 Values with duplex mast

Data is based on standard configurations (forks, battery).
Performance data and dimensions are nominal and subject to tolerances.
Specifications are subject to change without notice.

DIMENSIONAL DRAWINGS



MAST AND RATED CAPACITIES

MI 4,5 T			Duplex Total Visibility							Duplex Free Lift				Triplex Free Lift						
			DVT30	DVT33	DVT35	DVT37	DVT40	DVT45	DVT50	DLL30	DLL33	DLL35	DLL37	TLL40	TLL43	TLL45	TLL47	TLL50	TLL55	TLL60
h3*	Lift height	mm	3000	3300	3500	3700	4000	4500	5000	3000	3300	3500	3700	4000	4300	4500	4700	5000	5500	6000
h1	Height mast lowered	mm	2245	2395	2495	2595	2795	3070	3345	2226	2376	2476	2576	2080	2180	2248	2310	2410	2575	2790
h2	Free lift	mm	160	160	160	160	160	160	160	1364	1514	1614	1714	1229	1329	1395	1459	1559	1724	1939
h4*	Height mast extended*	mm	4170	4470	4670	4870	5170	5670	6170	4170	4470	4670	4870	5170	5470	5685	5870	6170	6670	7180
	Residual capacity without attachment	kg	4500	4500	4500	4500	4500	4100	3700	4500	4500	4500	4500	4450	4300	4100	3900	3600	3100	2500
	Residual capacity with Integrated sideshift	kg	4500	4500	4500	4500	41500	4000	3600	4500	4500	4500	4500	4350	4200	4000	3800	3500	23000	2400
α / β	Tilt of mast forwards / backwards	deg	6 / 12	6 / 12	6 / 12	6 / 12	6 / 12	6 / 6	6 / 6	6 / 12	6 / 12	6 / 12	6 / 12	6 / 12	6 / 6	6 / 6	6 / 6	6 / 6	3 / 6	3 / 6

* Without backrest

5000 kg

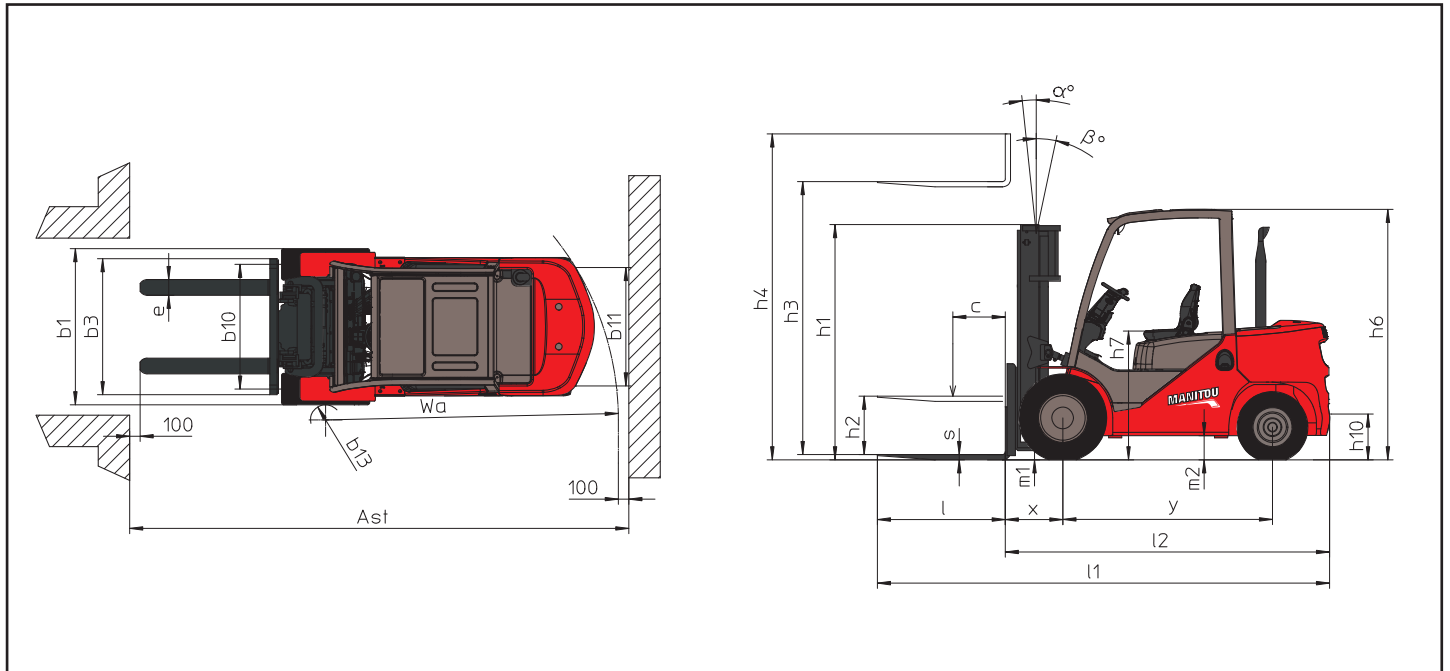
TECHNICAL SPECS

					MANITOU	MANITOU
Specifications	1.1	Manufacturer			MANITOU	MANITOU
	1.2	Model			MI50G	MI50D
	1.3	Power source			LPG	Diesel
	1.4	Driving position			Seated	Seated
	1.5	Nominal capacity	Q	t	5	5
	1.6	Load - Centre of gravity	c	mm	500	500
	1.8	Distance from the load-bearing surface to centre of front axle	x	mm	560	560
	1.9	Wheelbase	y	mm	2150	2150
	Weights	2.1	Operating weight		kg	6800
2.2		Axle load, with load, front / rear		kg	10450 / 1350	10450 / 1350
2.3		Axle load, without load, front / rear		kg	3000 / 3800	3000 / 3800
Tyres, frame	3.1	Tyre equipment : cushion (V), superelastic (SE), pneumatic (L)			SE	SE
	3.2	Size of front wheels			300-15-18PR	300-15-18PR
	3.3	Size of rear wheels			7.00-12-12PR	7.00-12-12PR
	3.5	Number of front wheels (x=drive wheel) / rear wheels			2x / 2	2x / 2
	3.6	Front wheel gauge (middle of wheels)	b10	mm	1190	1190
	3.7	Rear wheel gauge (middle of wheels)	b11	mm	1130	1130
	Dimensions	4.1	Tilt of mast forwards/backwards (1)	α / β		6 / 12
4.2		Height mast lowered	h1	mm	2395	2395
4.3		Free lift	h2	mm	160	160
4.4		Lift height	h3	mm	3000	3000
4.5		Height mast extended	h4	mm	4320	4320
4.7		Height of overhead guard	h6	mm	2390	2390
4.8		Height of seat	h7	mm	1370	1370
4.12		Height of towing bar	h10	mm	445	445
4.19		Overall length	l1	mm	4475	4475
4.20		Length at fork heels	l2	mm	3255	3255
4.21		Total width (overall)	b1	mm	1490 / 1940	1490 / 1940
4.22		Fork dimensions	e / s / l	mm	150 / 50 / 1220	150 / 50 / 1220
4.23		Fork carriage to DIN 15173 A/B			FEM 3A	FEM 3A
4.24		Width of fork carriage b3	b3	mm	1250	1250
4.31		Ground clearance below mast	m1	mm	170	170
4.32		Ground clearance at centre of wheel-base	m2	mm	230	230
4.33		Width of aisle for pallet 1000x1200 crossways	Ast	mm	4791	4791
4.34		Width of aisle for pallet 800x1200 lengthways	Ast	mm	4925	4925
4.35		Turning radius	Wa	mm	2920	2920
4.36	Inner turning radius	b13	mm	130	130	
Performances	5.1	Speed of travel laden / unladen		km/h	22 / 24	22 / 24
	5.2	Speed of raise laden / unladen		m/s	0,4 / 0,43	0,4 / 0,43
	5.3	Speed of lowering laden / unladen m/s		m/s	0,5 / 0,5	0,5 / 0,5
	5.5	Nominal towing power laden / unladen		N	38000 / 23000	40000 / 21000
	5.7	Gradeability with / without load		%	22 / 32	31 / 34
	5.10	Service brake			Hydraulic	Hydraulic
Engines	7.1	Engine Manufacturer / Type			PSI 4.3L	Cummins QSF2.8T4F - Stage 3B
	7.2	Power delivery		kW	74	55
	7.3	Rated speed		tr/min	2300	2600
	7.4	Number of pistons / Cubic capacity		cm ³	6 / 4300	4 / 2800
Miscell ⁺	8.2	Operating pressure for attachments		bar	160	160
	8.3	Oil flow for attachments		l/min	90	90
	-	Average weighted acceleration on driver's body (acc to std NF EN 13059)		m/s ²	1	1

1 Values with duplex mast

Data is based on standard configurations (forks, battery).
Performance data and dimensions are nominal and subject to tolerances.
Specifications are subject to change without notice.

DIMENSIONAL DRAWINGS



MAST AND RATED CAPACITIES

MI 5,0 T			Duplex Total Visibility							Duplex Free Lift				Triplex Free Lift						
			DVT30	DVT33	DVT35	DVT37	DVT40	DVT45	DVT50	DLL30	DLL33	DLL35	DLL37	TLL40	TLL43	TLL45	TLL47	TLL50	TLL55	TLL60
h3*	Lift height	mm	3000	3300	3500	3700	4000	4500	5000	3000	3300	3500	3700	4000	4300	4500	4700	5000	5500	6000
h1	Height mast lowered	mm	2245	2395	2495	2595	2795	3070	3345	2226	2376	2476	2576	2080	2180	2248	2310	2410	2575	2790
h2	Free lift	mm	160	160	160	160	160	160	160	1364	1514	1614	1714	1222	1322	1390	1452	1552	1718	1932
h4*	Height mast extended*	mm	4365	4665	4865	5065	5365	5865	6365	4365	4665	4865	5065	5365	5665	5880	6070	6370	6870	7380
	Residual capacity without attachment	kg	5000	5000	5000	5000	5000	4700	4100	5000	5000	5000	5000	4850	4700	4600	4300	3900	3400	2700
	Residual capacity with Integrated sideshift	kg	5000	5000	5000	5000	5000	4600	4000	5000	5000	5000	5000	4750	4600	4500	4200	3800	3300	2600
α / β	Tilt of mast forwards / backwards	deg	6 / 12	6 / 12	6 / 12	6 / 12	6 / 12	6 / 6	6 / 6	6 / 12	6 / 12	6 / 12	6 / 12	6 / 12	6 / 6	6 / 6	6 / 6	6 / 6	3 / 6	3 / 6

* Without backrest

5000 - 6000 kg

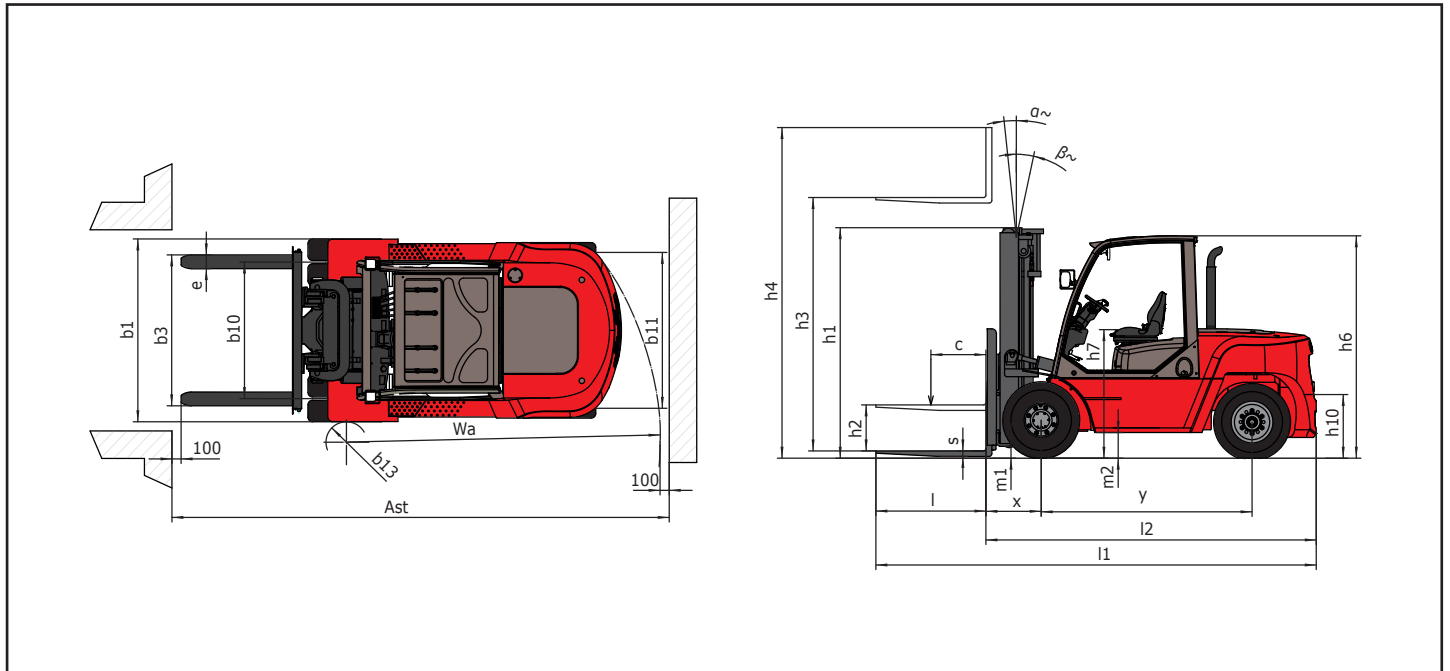
TECHNICAL SPECS

					MANITOU	MANITOU	MANITOU	MANITOU
					MIS0LG	MIS0LD	MI60G	MI60D
Specifications	1.1	Manufacturer			MANITOU	MANITOU	MANITOU	MANITOU
	1.2	Model			MIS0LG	MIS0LD	MI60G	MI60D
	1.3	Power source			LPG	Diesel	LPG	Diesel
	1.4	Driving position			Seated	Seated	Seated	Seated
	1.5	Nominal capacity	Q	t	5	5	6	6
	1.6	Load - Centre of gravity	c	mm	600	600	600	600
	1.8	Distance from the load-bearing surface to centre of front axle	x	mm	598	598	598	598
	1.9	Wheelbase	y	mm	2300	2300	2300	2300
	Weights	2.1	Operating weight		kg	8295	8295	8825
2.2		Axle load, with load, front / rear		kg	11500 / 1795	11500 / 1795	13000 / 1825	13000 / 1825
2.3		Axle load, without load, front / rear		kg	4080 / 4215	4080 / 4215	3960 / 4865	3960 / 4865
Tyres, frame	3.1	Tyre equipment : cushion (V), superelastic (SE), pneumatic (L)			SE	SE	SE	SE
	3.2	Size of front wheels			8.25-15-14PR	8.25-15-14PR	8.25-15-14PR	8.25-15-14PR
	3.3	Size of rear wheels			8.25-15-14PR	8.25-15-14PR	8.25-15-14PR	8.25-15-14PR
	3.5	Number of front wheels (x=drive wheel) / rear wheels			4x / 2	4x / 2	4x / 2	4x / 2
	3.6	Front wheel gauge (middle of wheels)	b10	mm	1489	1489	1489	1489
	3.7	Rear wheel gauge (middle of wheels)	b11	mm	1700	1700	1700	1700
Dimensions	4.1	Tilt of mast forwards/backwards (1)	α / β	deg	6 / 12	6 / 12	6 / 12	6 / 12
	4.2	Height mast lowered	h1	mm	2500	2500	2500	2500
	4.3	Free lift	h2	mm	160	160	160	160
	4.4	Lift height	h3	mm	3000	3000	3000	3000
	4.5	Height mast extended	h4	mm	4420	4420	4420	4420
	4.7	Height of overhead guard	h6	mm	2430	2430	2430	2430
	4.8	Height of seat	h7	mm	1350	1350	1350	1350
	4.12	Height of towing bar	h10	mm	430	430	430	430
	4.19	Overall length	l1	mm	4699	4699	4729	4729
	4.20	Length at fork heels	l2	mm	3499	3499	3529	3529
	4.21	Total width (overall)	b1	mm	1990	1990	1990	1990
	4.22	Fork dimensions	e / s / l	mm	150 / 60 / 1220	150 / 60 / 1220	150 / 60 / 1220	150 / 60 / 1220
	4.23	Fork carriage to DIN 15173 A/B			FEM 4A	FEM 4A	FEM 4A	FEM 4A
	4.24	Width of fork carriage b3	b3	mm	1700	1700	1700	1700
	4.31	Ground clearance below mast	m1	mm	190	190	190	190
	4.32	Ground clearance at centre of wheel-base	m2	mm	270	270	270	270
	4.33	Width of aisle for pallet 1000x1200 crossways	Ast	mm	5157	5157	5207	5207
	4.34	Width of aisle for pallet 800x1200 lengthways	Ast	mm	5292	5292	5342	5342
	4.35	Turning radius	Wa	mm	3250	3250	3300	3300
	4.36	Inner turning radius	b13	mm	1222	1222	1222	1222
Performances	5.1	Speed of travel laden / unladen		km/h	30 / 31	27 / 29	28 / 31	27 / 29
	5.2	Speed of raise laden / unladen		m/s	0,47 / 0,49	0,47 / 0,49	0,46 / 0,49	0,46 / 0,49
	5.3	Speed of lowering laden / unladen m/s		m/s	0,48 / 0,42	0,48 / 0,42	0,48 / 0,42	0,48 / 0,42
	5.5	Nominal towing power laden / unladen		N	59000 / 25440	65000 / 25440	59000 / 26720	65000 / 26720
	5.7	Gradeability with / without load		%	38	48	33	43
	5.10	Service brake			Hydraulic	Hydraulic	Hydraulic	Hydraulic
Engines	7.1	Engine Manufacturer / Type			PSI 4.3L	Deutz TCD 3.6 L4	PSI 4.3L	Deutz TCD 3.6 L4
	7.2	Power delivery		kW	74	55.4	74	55.4
	7.3	Rated speed		tr/min	2300	2200	2300	2200
	7.4	Number of pistons / Cubic capacity		cm ³	6 / 4300	4 / 3300	6 / 4300	4 / 3300
Miscellaneous	8.2	Operating pressure for attachments		bar	195	195	195	195
	8.3	Oil flow for attachments		l/min	120	120	120	120
	-	Average weighted acceleration on driver's body (acc to std NF EN 13059)		m/s ²	0,9	0,9	0,9	0,9

1 Values with duplex mast

Data is based on standard configurations (forks, battery).
Performance data and dimensions are nominal and subject to tolerances.
Specifications are subject to change without notice.

DIMENSIONAL DRAWINGS



MAST AND RATED CAPACITIES

MI 5,0 T			Duplex Total Visibility						Duplex Free Lift				Triplex Free Lift				
			DVT30	DVT33	DVT36	DVT40	DVT45	DVT50	DLL30	DLL33	DLL36	DLL40	TLL45	TLL48	TLL50	TLL55	TLL60
h3*	Lift height	mm	3000	3300	3600	4000	4500	5000	3000	3300	3600	4000	4500	4800	5000	5500	6000
h1	Height mast lowered	mm	2500	2650	2800	3000	3300	3550	2450	2600	2750	2950	2725	2825	2875	3075	3225
h2	Free lift	mm	160	160	160	160	160	160	1495	1695	1795	1995	1500	1600	1672	1800	2000
h4	Height mast extended*	mm	3995	4295	4595	4995	5500	6000	3955	4255	4555	4955	5735	6035	6213	6785	7235
	Residual capacity without attachment	kg	5000	5000	5000	5000	5000	5000	5000	5000	5000	5000	4500	4500	4500	4200	4000
	Residual capacity with Integrated sideshift	kg	4500	4500	4500	4500	4500	4500	4500	4500	4500	4500	4000	4000	4000	3700	3500
α / β	Tilt of mast forwards / backwards	deg	6 / 12	6 / 12	6 / 12	6 / 12	6 / 6	6 / 6	6 / 12	6 / 12	6 / 12	6 / 12	6 / 6	6 / 6	6 / 6	3 / 6	3 / 6

MI 6,0 T			Duplex Total Visibility						Duplex Free Lift				Triplex Free Lift				
			DVT30	DVT33	DVT36	DVT40	DVT45	DVT50	DLL30	DLL33	DLL36	DLL40	TLL45	TLL48	TLL50	TLL55	TLL60
h3*	Lift height	mm	3000	3300	3600	4000	4500	5000	3000	3300	3600	4000	4500	4800	5000	5500	6000
h1	Height mast lowered	mm	2500	2650	2800	3000	3300	3550	2450	2600	2750	2950	2725	2825	2875	3075	3225
h2	Free lift	mm	160	160	160	160	160	160	1495	1695	1795	1995	1500	1600	1672	1800	2000
h4	Height mast extended*	mm	3995	4295	4595	4995	5500	6000	3955	4255	4555	4955	5735	6035	6213	6785	72356
	Residual capacity without attachment	kg	6000	6000	6000	6000	6000	6000	6000	6000	6000	6000	5500	5500	5500	5200	5000
	Residual capacity with Integrated sideshift	kg	5500	5500	5500	5500	5500	5500	5500	5500	5500	5500	5000	5000	5000	4700	4500
α / β	Tilt of mast forwards / backwards	deg	6 / 12	6 / 12	6 / 12	6 / 12	6 / 6	6 / 6	6 / 12	6 / 12	6 / 12	6 / 12	6 / 6	6 / 6	6 / 6	3 / 6	3 / 6

* Without backrest

7000 kg

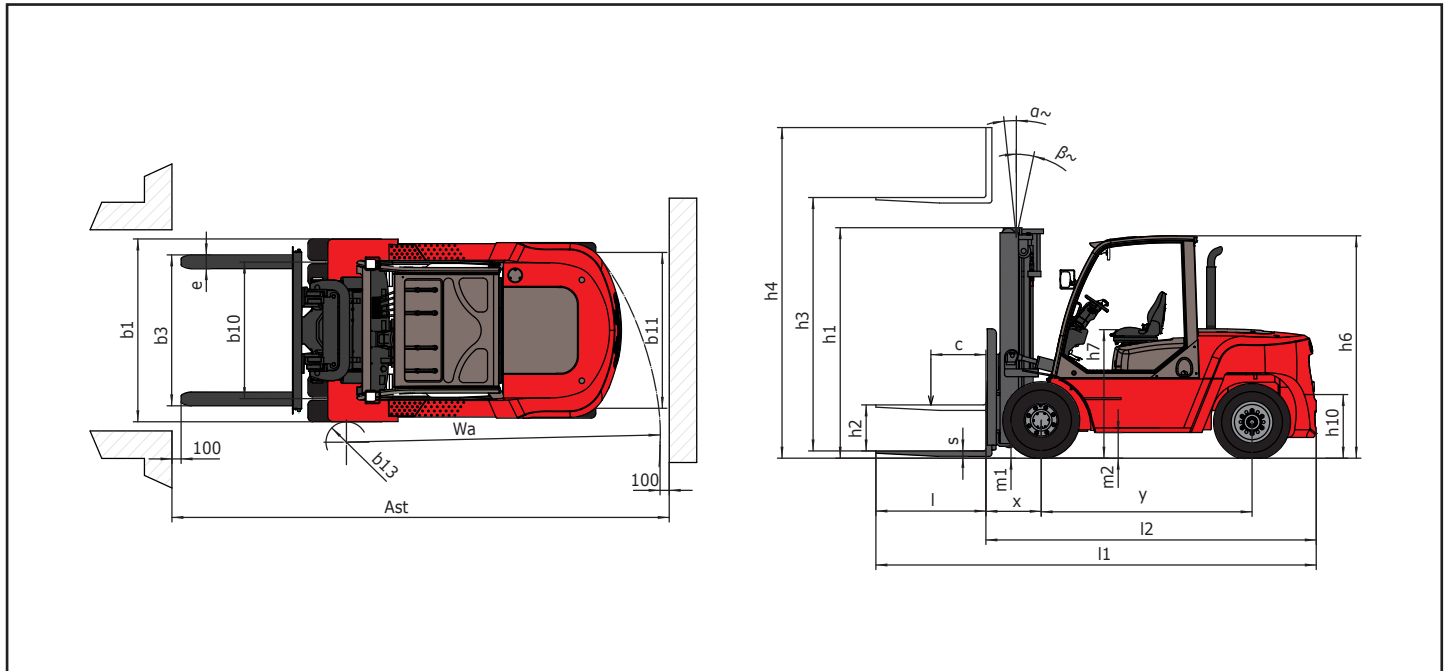
TECHNICAL SPECS

					MANITOU	MANITOU
Specifications	1.1	Manufacturer			MANITOU	MANITOU
	1.2	Model			MI70G	MI70D
	1.3	Power source			LPG	Diesel
	1.4	Driving position			Seated	Seated
	1.5	Nominal capacity	Q	t	7	7
	1.6	Load - Centre of gravity	c	mm	600	600
	1.8	Distance from the load-bearing surface to centre of front axle	x	mm	603	603
	1.9	Wheelbase	y	mm	2300	2300
	Weights	2.1	Operating weight		kg	9595
2.2		Axle load, with load, front / rear		kg	14830 / 1765	14830 / 1765
2.3		Axle load, without load, front / rear		kg	3910 / 5685	3910 / 5685
Tyres, frame	3.1	Tyre equipment : cushion (V), superelastic (SE), pneumatic (L)			SE	SE
	3.2	Size of front wheels			8.25-15-14PR	8.25-15-14PR
	3.3	Size of rear wheels			8.25-15-14PR	8.25-15-14PR
	3.5	Number of front wheels (x=drive wheel) / rear wheels			4x / 2	4x / 2
	3.6	Front wheel gauge (middle of wheels)	b10	mm	1489	1489
	3.7	Rear wheel gauge (middle of wheels)	b11	mm	1700	1700
Dimensions	4.1	Tilt of mast forwards/backwards (1)	α / β		6 / 12	6 / 12
	4.2	Height mast lowered	h1	mm	2500	2500
	4.3	Free lift	h2	mm	160	160
	4.4	Lift height	h3	mm	3000	3000
	4.5	Height mast extended	h4	mm	4420	4420
	4.7	Height of overhead guard	h6	mm	2430	2430
	4.8	Height of seat	h7	mm	1350	1350
	4.12	Height of towing bar	h10	mm	430	430
	4.19	Overall length	l1	mm	4804	4804
	4.20	Length at fork heels	l2	mm	3604	3604
	4.21	Total width (overall)	b1	mm	1990	1990
	4.22	Fork dimensions		mm	150 / 65 / 1220	150 / 65 / 1220
	4.23	Fork carriage to DIN 15173 A/B			FEM 4A	FEM 4A
	4.24	Width of fork carriage b3	b3	mm	1700	1700
	4.31	Ground clearance below mast	m1	mm	190	190
	4.32	Ground clearance at centre of wheel-base	m2	mm	270	270
	4.33	Width of aisle for pallet 1000x1200 crossways	Ast	mm	5262	5262
	4.34	Width of aisle for pallet 800x1200 lengthways	Ast	mm	5397	5397
4.35	Turning radius	Wa	mm	3350	3350	
4.36	Inner turning radius	b13	mm	1222	1222	
Performances	5.1	Speed of travel laden / unladen		km/h	27 / 31	26 / 29
	5.2	Speed of raise laden / unladen		m/s	0,43 / 0,46	0,41 / 0,50
	5.3	Speed of lowering laden / unladen m/s		m/s	0,48 / 0,42	0,48 / 0,42
	5.5	Nominal towing power laden / unladen		daN	59000 / 27500	68000 / 27500
	5.7	Gradeability with / without load		%	27	36
	5.10	Service brake			Hydraulic	Hydraulic
Engines	7.1	Engine Manufacturer / Type			PSI 4.3L	Deutz TCD 3.6 L4
	7.2	Power delivery		kW	74	55.4
	7.3	Rated speed		tr/min	2300	2200
	7.4	Number of pistons / Cubic capacity		cm ³	6 / 4300	4 / 3300
Miscellaneous	8.2	Operating pressure for attachments		bar	195	195
	8.3	Oil flow for attachments		l/min	120	120
	-	Average weighted acceleration on driver's body (acc to std NF EN 13059)		m/s ²	0,9	0,9

1 Values with duplex mast

Data is based on standard configurations (forks, battery).
Performance data and dimensions are nominal and subject to tolerances.
Specifications are subject to change without notice.

DIMENSIONAL DRAWINGS



MAST AND RATED CAPACITIES

MI 7,0 T			Duplex Total Visibility						Duplex Free Lift				Triplex Free Lift				
			DVT30	DVT33	DVT36	DVT40	DVT45	DVT50	DLL30	DLL33	DLL36	DLL40	TLL45	TLL48	TLL50	TLL55	TLL60
h3*	Lift height	mm	3000	3300	3600	4000	4500	5000	3000	3300	3600	4000	4500	4800	5000	5500	6000
h1	Height mast lowered	mm	2500	2650	2800	3000	3300	3550	2450	2600	2750	2950	2725	2825	2875	3075	3225
h2	Free lift	mm	160	160	160	160	160	160	1335	1485	1635	1835	1500	1600	1672	1800	2000
h4	Height mast extended*	mm	4167	4467	4767	5167	5667	6167	4115	4415	4715	5115	5735	6035	6213	6785	72356
	Residual capacity without attachment	kg	7000	7000	7000	7000	7000	7000	7000	7000	7000	7000	6400	6300	6300	6100	5500
	Residual capacity with Integrated sideshift	kg	6500	6500	6500	6500	6500	6500	6500	6500	6500	6500	5900	5800	5800	5600	5000
α / β	Tilt of mast forwards / backwards	deg	6 / 12	6 / 12	6 / 12	6 / 12	6 / 6	6 / 6	6 / 12	6 / 12	6 / 12	6 / 12	6 / 6	6 / 6	6 / 6	3 / 6	3 / 6

* Without backrest

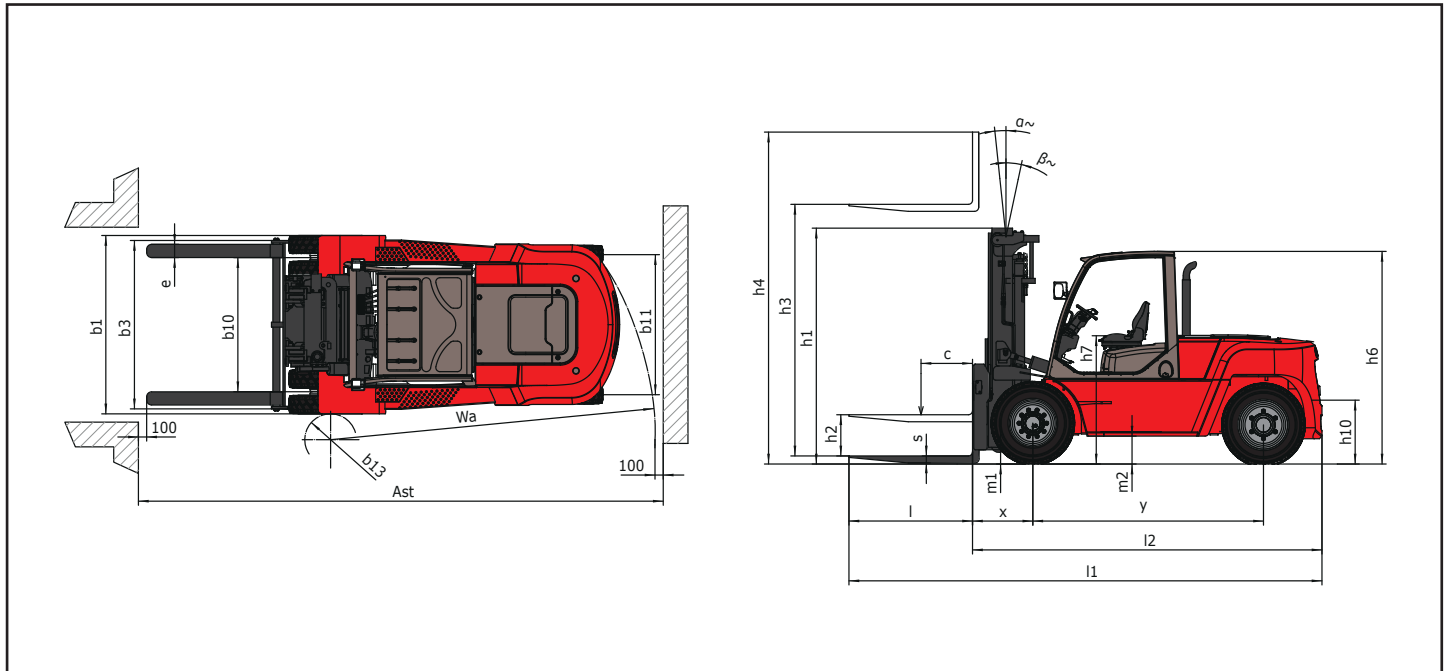
8000 - 10000 kg

TECHNICAL SPECS

				MANITOU	MANITOU	
				MI80D	MI100D	
Specifications	1.1	Manufacturer				
	1.2	Model				
	1.3	Power source		Diesel	Diesel	
	1.4	Driving position		Seated	Seated	
	1.5	Nominal capacity	Q	t	8	10
	1.6	Load - Centre of gravity	c	mm	600	600
	1.8	Distance from the load-bearing surface to centre of front axle	x	mm	705	732
	1.9	Wheelbase	y	mm	2500	2800
	Weights	2.1	Operating weight		kg	11790
2.2		Axle load, with load, front / rear		kg	17670 / 2120	21030 / 2560
2.3		Axle load, without load, front / rear		kg	4870 / 6920	6430 / 7160
Tyres, frame	3.1	Tyre equipment : cushion (V), superelastic (SE), pneumatic (L)			SE	SE
	3.2	Size of front wheels			9.00-20-14PR	9.00-20-14PR
	3.3	Size of rear wheels			9.00-20-14PR	9.00-20-14PR
	3.5	Number of front wheels (x=drive wheel) / rear wheels			4x / 2	4x / 2
	3.6	Front wheel gauge (middle of wheels)	b10	mm	1628	1628
	3.7	Rear wheel gauge (middle of wheels)	b11	mm	1700	1700
Dimensions	4.1	Tilt of mast forwards/backwards (1)	α / β		6 / 12	6 / 12
	4.2	Height mast lowered	h1	mm	2700	2850
	4.3	Free lift	h2	mm	200	200
	4.4	Lift height	h3	mm	3000	3000
	4.5	Height mast extended	h4	mm	4210	4555
	4.7	Height of overhead guard	h6	mm	2580	2580
	4.8	Height of seat	h7	mm	1505	1505
	4.12	Height of towing bar	h10	mm	505	505
	4.19	Overall length	l1	mm	5395	5742
	4.20	Length at fork heels	l2	mm	3895	4242
	4.21	Total width (overall)	b1	mm	2165	2165
	4.22	Fork dimensions		mm	160 / 75 / 1520	160 / 80 / 1520
	4.23	Fork carriage to DIN 15173 A/B			FEM 5A	FEM 5A
	4.24	Width of fork carriage b3	b3	mm	2040	2044
	4.31	Ground clearance below mast	m1	mm	185	190
	4.32	Ground clearance at centre of wheel-base	m2	mm	339	339
	4.33	Width of aisle for pallet 1000x1200 crossways	Ast	mm	5637	5973
4.34	Width of aisle for pallet 800x1200 lengthways	Ast	mm	5777	6113	
4.35	Turning radius	Wa	mm	3630	3940	
4.36	Inner turning radius	b13	mm	1327	1396	
Performances	5.1	Speed of travel laden / unladen		km/h	28 / 32	26 / 31
	5.2	Speed of raise laden / unladen		m/s	0,41 / 0,44	0,35 / 0,38
	5.3	Speed of lowering laden / unladen m/s		m/s	0,45 / 0,36	0,45 / 0,36
	5.5	Nominal towing power laden / unladen		daN	78600 / 45000	83000 / 54000
	5.7	Gradeability with / without load		%	44	44
	5.10	Service brake			Hydraulic	Hydraulic
Engines	7.1	Engine Manufacturer / Type			Deutz - TCD 3.6 L4	Deutz - TCD 3.6 L4
	7.2	Power delivery		kW	85	85
	7.3	Rated speed		tr/min	2200	2200
	7.4	Number of pistons / Cubic capacity		cm ³	4 / 4500	4 / 4500
Miscell ¹	8.2	Operating pressure for attachments		bar	195	195
	8.3	Oil flow for attachments		l/min	180	180
	-	Average weighted acceleration on driver's body (acc to std NF EN 13059)		m/s ²	1,2	1,2

¹ Values with duplex mast

DIMENSIONAL DRAWINGS



MAST AND RATED CAPACITIES

MI 8,0 T			Duplex Total Visibility						Triplex Free Lift				
			DVT30	DVT33	DVT36	DVT40	DVT45	DVT50	TLL45	TLL48	TLL50	TLL55	TLL60
h3*	Lift height	mm	3000	3300	3600	4000	4500	5000	4500	4800	5000	5500	6000
h1	Height mast lowered	mm	2700	2850	3000	3200	3500	3750	2750	2850	2950	3100	3250
h2	Free lift	mm	200	200	200	200	200	200	1485	1585	1600	1800	1985
h4	Height mast extended*	mm	4210	4510	4810	5210	5710	6210	5775	6075	6360	6810	7275
	Residual capacity without attachment	kg	8000	8000	8000	8000	8000	8000	7000	7000	6500	6100	5600
	Residual capacity with Integrated sideshift	kg	7600	7600	7600	7600	7600	7600	6600	6600	6100	5700	5200
α / β	Tilt of mast forwards / backwards	deg	6 / 12	6 / 12	6 / 12	6 / 12	6 / 6	6 / 6	6 / 6	6 / 6	6 / 6	3 / 6	3 / 6

MI 10,0 T			Duplex Total Visibility						Triplex Free Lift				
			DVT30	DVT33	DVT36	DVT40	DVT45	DVT50	TLL45	TLL48	TLL50	TLL55	TLL60
h3*	Lift height	mm	3000	3300	3600	4000	4500	5000	4500	4800	5000	5500	6000
h1	Height mast lowered	mm	2850	3000	3150	3350	3650	3900	2850	2950	3050	3200	3350
h2	Free lift	mm	200	200	200	200	200	200	1305	1405	1505	1655	1805
h4	Height mast extended*	mm	4555	4855	5155	5555	6055	6555	6055	6355	6555	7055	7555
	Residual capacity without attachment	kg	10000	10000	10000	10000	10000	10000	8500	8500	8200	7700	7000
	Residual capacity with Integrated sideshift	kg	9600	9600	9600	9600	9600	9600	8100	8100	7800	7300	6600
α / β	Tilt of mast forwards / backwards	deg	6 / 12	6 / 12	6 / 12	6 / 12	6 / 6	6 / 6	6 / 6	6 / 6	6 / 6	3 / 6	3 / 6

* Without backrest

Your nearest MANITOU dealer:



Head office

B.P. 249 - 430 rue de l'Aubinière - 44158 Ancenis Cedex - France
Tel: 00 33 (0)2 40 09 10 11 - Fax: 00 33 (0)2 40 09 10 97
www.manitou.com



This brochure describes versions and configuration options for Manitou products which may be fitted with different equipment. The equipment described in this brochure may be standard, optional or not available depending on version. Manitou reserves the right to change the specifications shown and described at any time and without prior warning. The manufacturer is not liable for the specifications given. For more information, contact your Manitou dealer. Non-contractual document. Product descriptions may differ from actual products. List of specifications is not comprehensive. The logos and visual identity of the company are the property of Manitou and may not be used without authorisation. All rights reserved. The photos and diagrams contained in this brochure are provided for information only.

MANITOU BF SA - Limited company with board of directors - Share capital: 39,547,824 euros - 857 802 508 RCS Nantes